

GCK-990 GeBE Keyboard Controller

Controller System for Input Devices with up to 144 keys.



Description

The newly developed keyboard controller GCK-990 is ideal for small systems at a competitive price. It is easy to adapt regarding customized solutions and can be delivered ex works with programmed key combinations or strings up to 8 keys maximum.

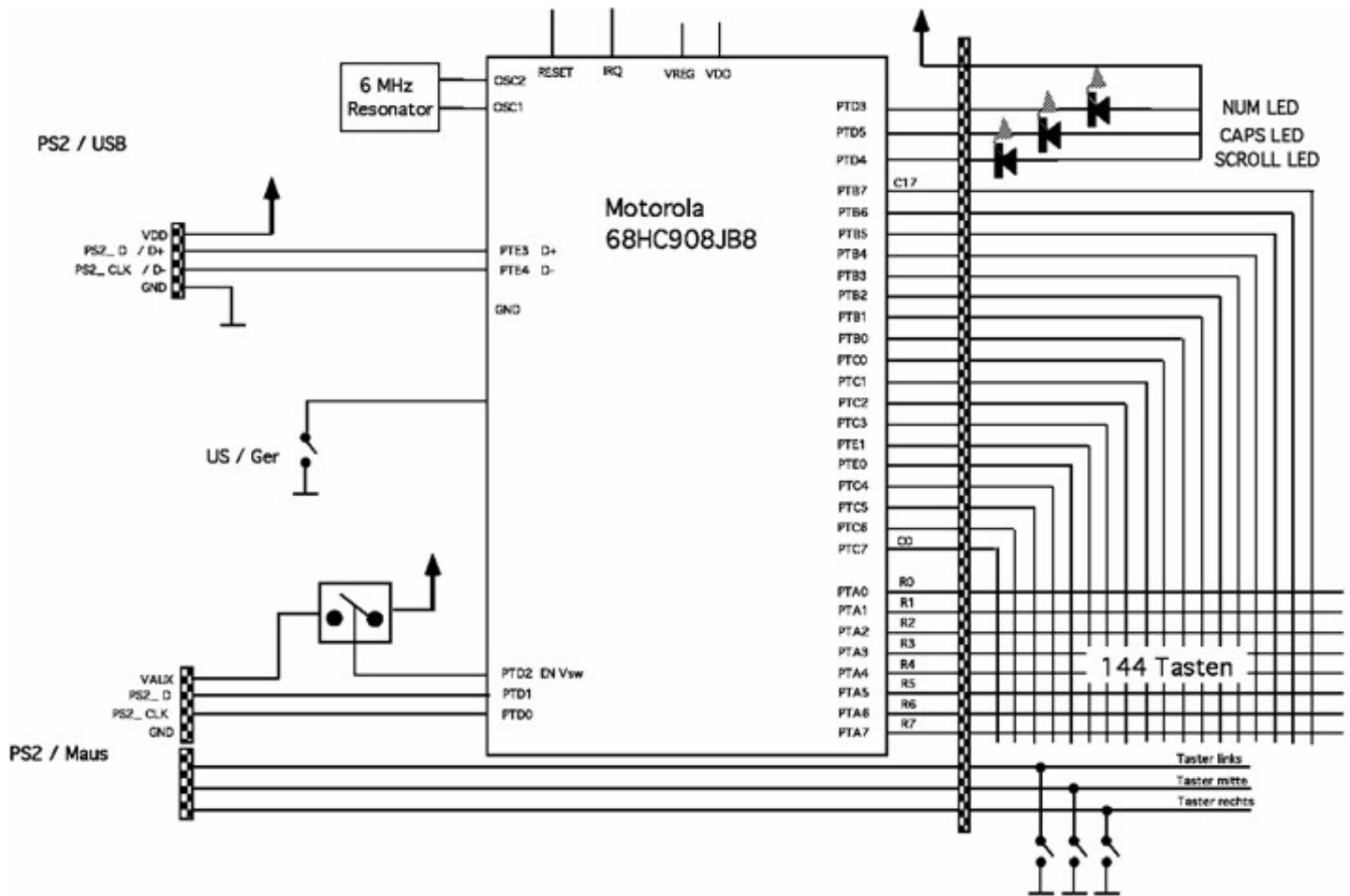
The keyboard controller GCK-990 has a [USB/PS/2](#) autodetect combo port. He supports USB sleep modes and comes with a standard keyboard and mouse driver unit.

Features

- Up to 144 keys can be connected (enough for a standard PC keyboard); 143 keys can be double-allocated through the FN level
- Direct control of membrane keyboards (mouse keys are directly integrated in the membrane) and long-travel keyboards
- As an option, a matrix can be connected through a 50-pin [strIP](#)
- The keyboards as well as external [Touchpads](#), [Trackballs](#), or joysticks can be directly connected through the USB port
- With electromagnetic shielding (EMV)

The GCK-990 further supports:

Powermanagement and multimedia keys, or
PS/2 mouse devices (touchpad/trackball)



GCK-990 V1.0

Specification

Mechanical data

Dimensions: 61 x 47 x 5,5 or x 16 mm

Electric Data

Voltages: +5 V
 Interface: Combo [PS/2](#) and [USB](#)
 Operating Current: 4 mA

Environment

Operating Temperature: from 0 °C to +70 °C

Guarantee

Certifications: CE

Order No.	Article	
CS1113	GCK-990-EVAL-PS/2-USB	
CS1117	GCK-990-STD-51-PS/2-USB	
CS1111	GCK-990-STD-PS/2-USB	

Accessories

Order No.	Article	
ZK1364	Anschlusskabel USB	
KK1177	Anschlusskabel-PS/2	PS2 cable